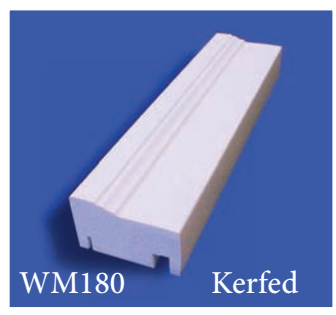
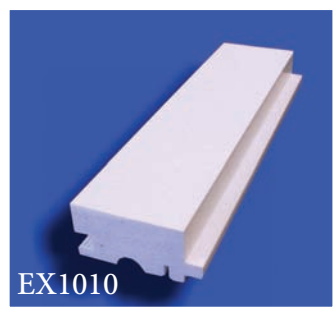
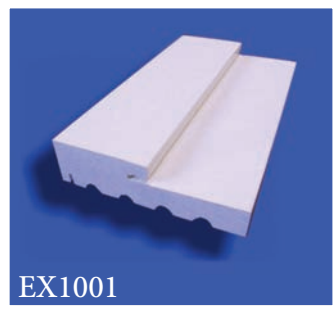
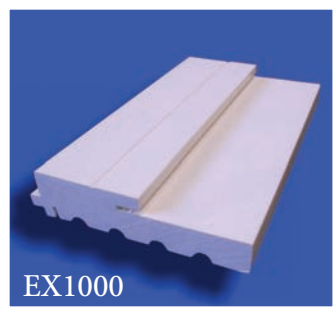


# All Weather Jambs

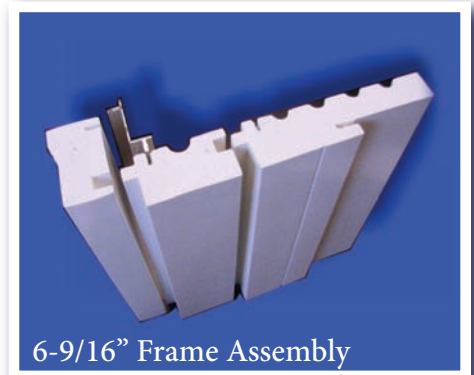
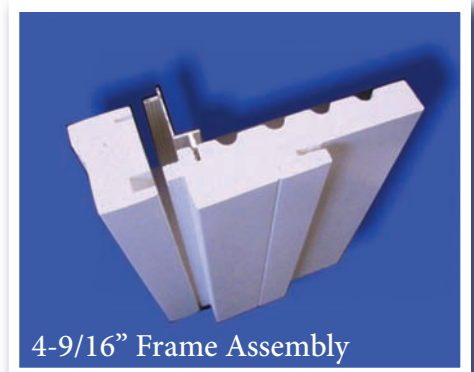
MAINTENANCE-FREE DOOR JAMBS *with Integrated Nailing Fin*



- Full line of solid cellular PVC Door Jamb products
- Integrated aluminum nailing fin system – patented
- Both 4-9/16” and 6-9/16” jambs
- Available as stock lengths or machined to your specifications
- Full range of machining and painting capabilities
- Hard skin

## Features

- No rot frame
- Maintenance-free
- Solid, closed cell foam structure will not absorb water
- Can be painted and nailed
- Shape design identical to wood moulding products solid material
- Excellent impact and skin durability
- Resists mold, mildew, fungus, salt, chemicals, pollutants and insects
- Use like wood jambs
- 7', 8', 10' and 17' lengths  
Custom lengths available
- Can be used with all current door systems
- Paintable, all primed with white base color over a solid white base



“ISO 9001:2000 QMS” Certified

## EXTRUTECH PLASTICS, INC.

*“Custom Extruder of Close Tolerance Profiles”*

5902 West Custer Street,

Manitowoc, WI 54220 U.S.A.

Phone: 888.818.0118 Fax: 920.684.4344

E-mail: [info@epiplastics.com](mailto:info@epiplastics.com) [www.epiplastics04.com](http://www.epiplastics04.com)

